

# MAST/RAIL MOUNT - HEAVY DUTY

## Solid Brass Pole Bracket (G1"-11)

- Very strong heavy duty bracket for installation of Marine and Base Station antennas on pole
- Made of solid brass and PU powder coated for long term use at sea
- It can be mounted vertically overhead or on side of poles with diameters from 38 mm to 75 mm (G2 1/2 water pipe) as well as horizontally on side beams with diameters from 30 mm to 75 mm. Optionally it can be placed on wall
- Especially made for antennas accepting the 1" Revolving Nut mounting system
- Stainless steel hardware included
- FOR ALUMINIUM POLE INSTALLATIONS: Special version supplied with stainless steel inlets to prevent galvanic corrosion between the bracket and the aluminium pole



**Mechanical Specifications:**

Color	White
Weight	1500 g (Hardware included)
Mounting	With supplied U-bolts
Materials	Solid brass and stainless steel
Mounting place	On vertical or horizontal pole (optionally on wall)
For Antenna Types	All Marine and Base Station antennas accepting the 1" Revolving Nut mounting system
Mounting Instruction	NOTE! 1" Revolving Nut Kit 10000-430 is not included
Dimensions	175 x 103 x 66 mm

**Ordering information:**

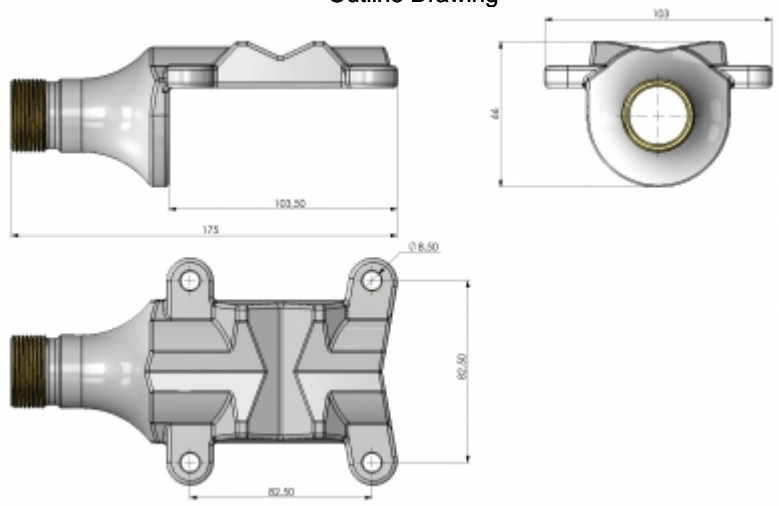
Part no.	10000-133 (in box)
Part no.	10000-133A (for aluminium pole/tube mounting; in box)

**Packing information:**

Packing	Hard box
---------	----------



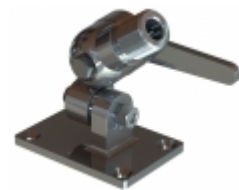
Outline Drawing



## 4-WAY MOUNT - CHROME

### 4-way chromed brass deck mount (1"-14NF)

- 4-Way adjustable
- Bright chromed solid brass heavy-duty adjustable bracket
- For installation of Marine, Satcom and GPS antennas with US-style internal 1"-14NF threaded base on deck etc.
- Easy tilt function



#### Mechanical Specifications:

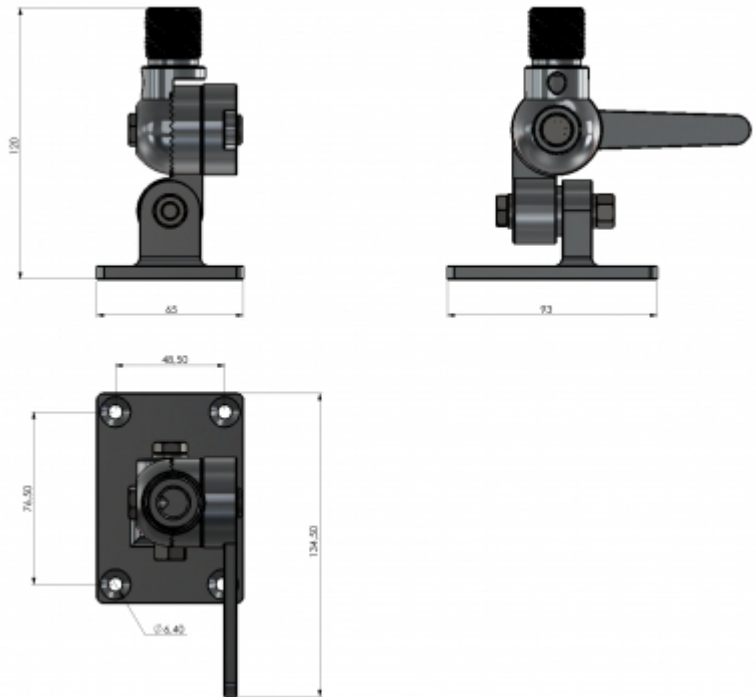
Color	Chrome
Height	120 mm
Weight	900 g (Hardware included)
Mounting	Bolt-on
Materials	Chromed solid brass, stainless steel and rubber
Operating temperature	-40C to +70C
Mounting place	On deck etc.
For Antenna Types	For marine, Satcom and GPS antennas with US-style internal 1"-14NF threaded base
Dimensions	Flange 93 x 65 mm

#### Ordering information:

Part no.	10000-323 (in hard box)
Packing information:	
Packing	Hardbox



Outline Drawing



# DECK MOUNT CHROME

## Heavy-Duty Bracket For Deck Mounting G1"-11

- Heavy-duty bright chromed solid brass mounting bracket for installation of Marine and Bases Station antennas on deck etc.
- The bracket is especially made for antennas accepting the 1" Revolving Nut mounting system
- Gasket and mounting hardware included



**Mechanical Specifications:**

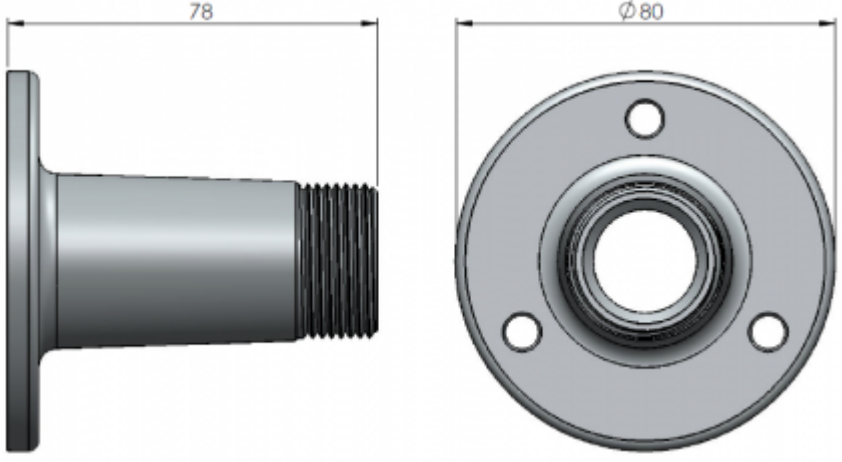
Color	Chrome
Height	78 mm
Diameter	80 mm
Weight	400 g (Hardware included)
Mounting	With supplied screws
Materials	Solid brass, rubber and stainless steel
Mounting place	On horizontal surfaces
For Antenna Types	All Marine and Base Station antennas accepting the 1" Revolving Nut mounting system
Mounting Instruction	NOTE! 1" Revolving Nut Kit 10000-430 is not included

**Ordering information:**

Part no.	10000-031 (in polybag)
<b>Packing information:</b>	
Packing	Polybag



Outline Drawing



# 1" ADAPTER TUBE - CHROME

## 150MM

### Bright Chromed Solid Brass Adapter Tube

- Bright chromed solid brass adapter tube for converting US-style 1"-14NF threaded brackets into Standard G1"-11 threaded type
- The adapter tube makes it possible to place all antennas with 1" Revolving Nut mounting on any US-style bracket



#### Mechanical Specifications:

Color	Chrome
Length	150 mm
Diameter	31.5 mm
Weight	375 g
Mounting	On US-style brackets with 1"-14NF threaded stud
Materials	Solid brass
For Antenna Types	All marine antennas accepting the G1"-11 Revolving Nut System

#### Ordering information:

Part no.	10000-420
Part no.	10000-421 (in polybag)

#### Packing information:

Packing	Polybag
---------	---------

#### Outline Drawing

